

ScadaPASC. Спецификация ТВUM297268 – Аккумуляторная батарея.

Ниже приведено техническое описание батареи TL-5186.

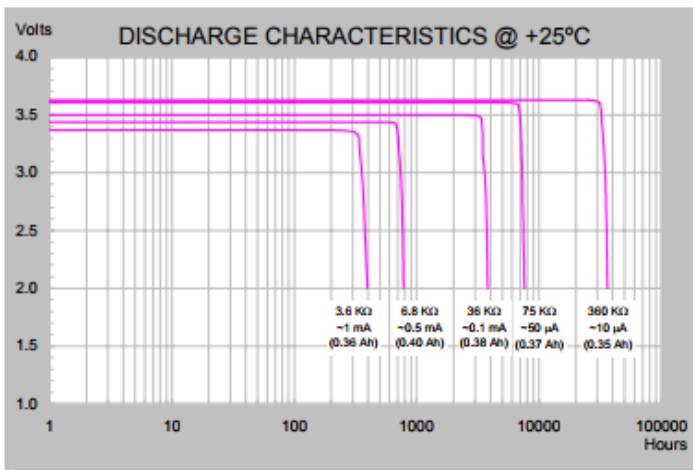
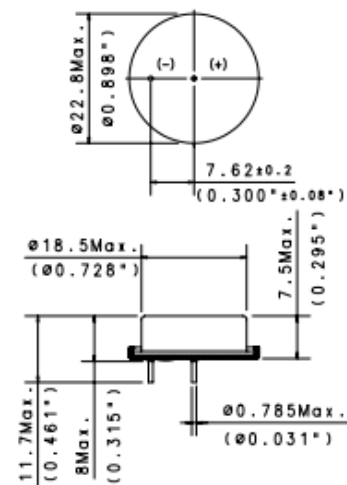
MODEL TL-5186

International size reference: ER22G75

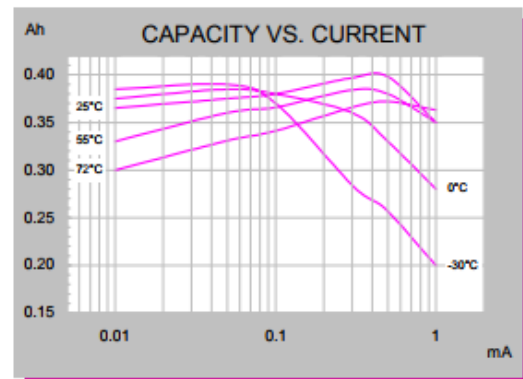
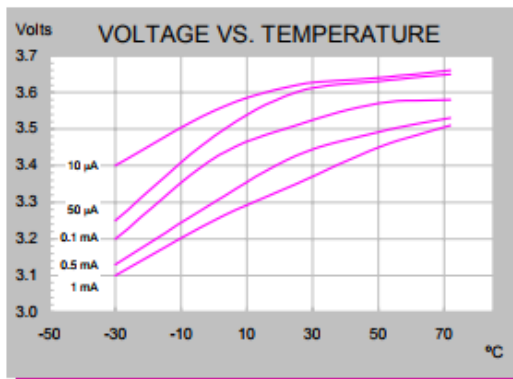
TECHNICAL DATA

(Typical values @+25°C for batteries stored for one year or less)

- Nominal capacity @ 0.5 mA, to 2V 0.40 Ah
- Rated voltage 3.6 V
- Weight 5.7g (0.201 oz)
- Volume 1.35 cc
- Operating temperature range -55°C to +85°C
- U.L. Component Recognition MH 12193



ADDITIONAL INFORMATION
 SUFFIX: -IP TIN PLATED NICKEL PINS
 CATALOGUE NO.: 15-5186-43000



MEMORY BACKUP

Note: Any presentations in this data sheet concerning performance are for information purpose only and are not construed as warranties either expressed or implied, of future performance. Rev. D 05/03