

ScadaPACK. Спецификация ТВУМ294034 – Батарея для 5103.

Ниже приведено техническое описание батареи PSH-1255FR.



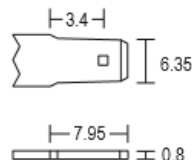
Features

- Absorbent Glass Mat (AGM) technology for superior performance
- Designed specifically for high-rate discharge (UPS) applications
- 24 Watts/cell for 15 min. of constant power
- Rugged plastic case and cover, flame retardant to UL94 V-0
- Approved for transport by air. D.O.T., I.A.T.A., F.A.A. and C.A.B. certified
- U.L. recognized under file number MH 20845

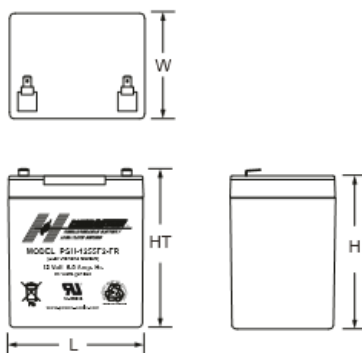
Terminals

(mm)

- F2 - Quick disconnect tabs, 0.250" x 0.032"
- Mate with AMP. INC FASTON "250" series



Physical Dimensions: in (mm)



L: 3.54 (90) W: 2.76 (70) H: 3.98 (101) HT: 4.21 (107)

Tolerances are +/- 0.04 in. (+/- 1mm) and +/- 0.08 in. (+/- 2mm) for height dimensions. All data subject to change without notice.

Performance Specifications

<b>Nominal Voltage</b> .....	12 volts (6 cells)
<b>Nominal Capacity</b>	
20-hr. (300mA to 10.50 volts) .....	6.00 AH
10-hr. (560mA to 10.50 volts) .....	5.60 AH
5-hr. (1.02A to 10.20 volts) .....	5.10 AH
1-hr. (3.72A to 9.00 volts) .....	3.72 AH
15-min. (11.76A to 9.00 volts).....	2.94 AH
<b>Approximate Weight</b> .....	4.00 lbs. (1.81 kg)
<b>Energy Density</b> (20-hr. rate) .....	1.85 W-h/in <sup>3</sup> (112.99 W-h/l)
<b>Specific Energy</b> (20-hr. rate) .....	18.00 W-h/lb (39.68 W-h/kg)
<b>Internal Resistance</b> (approx.) .....	28 milliohms
<b>Max Discharge Current</b> (7 Min.) .....	18.0 amperes
<b>Max Short-Duration Discharge Current</b> (10 Sec.).....	60.0 amperes
<b>Shelf Life</b> (% of nominal capacity at 68°F (20°C))	
1 Month .....	97%
3 Months.....	91%
6 Months .....	83%
<b>Operating Temperature Range</b>	
Charge.....	-4 °F (-20 °C) to 122 °F (50 °C)
Discharge.....	-40 °F (-40 °C) to 140 °F (60 °C)
<b>Case</b> .....	ABS Plastic (UL94 V-0 flame retardant)
<b>Power-Sonic Chargers</b> .....	PSC-12500A

To ensure safe and efficient operation always refer to the latest edition of our Technical Manual, as published on our website. All data subject to change without notice.

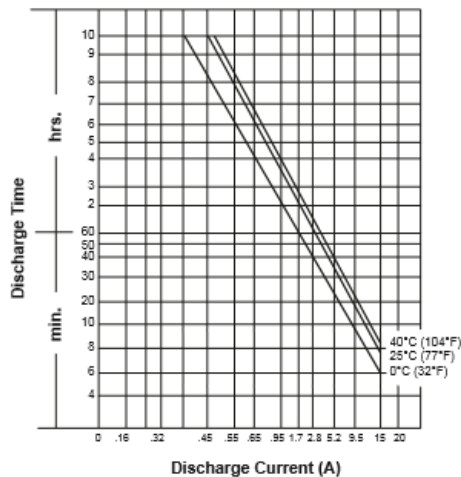
[www.power-sonic.com](http://www.power-sonic.com)



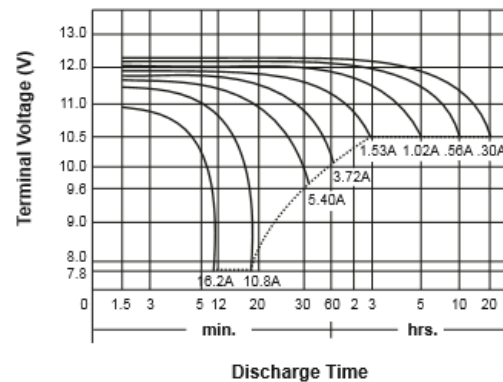
PSH-1255FR 12 Volt 6.0 AH

Constant Power Discharge Ratings								
MODEL	FINAL VOLTAGE	WATTS PER CELL @ 25° C						
		5 MIN	10 MIN	15 MIN	20 MIN	30 MIN	45 MIN	60 MIN
PSH-1255FR	1.75	38	27	22	17	12	9.5	6.4
	1.70	39	28	23	17.5	12.5	9.6	6.5
	1.67	40	29	24	18	13	9.8	6.7

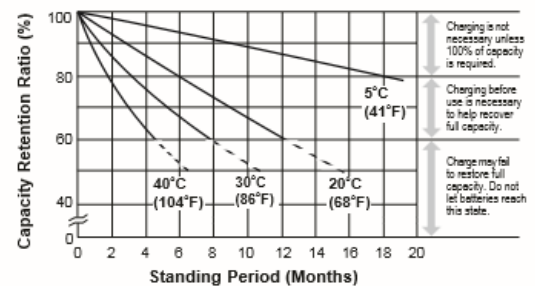
Discharge Time vs. Discharge Current



Discharge Characteristics



Shelf Life & Storage



**Charging**

**Cycle Applications:** Limit initial current to 1.8A. Charge until battery voltage (under charge) reaches 14.4 to 14.7 volts at 68°F (20°C). Hold at 14.4 to 14.7 volts until current drops to under 60mA. Battery is fully charged under these conditions, and charger should be disconnected or switched to "float" voltage.

**"Float" or "Stand-By" Service:** Hold battery across constant voltage source of 13.5 to 13.8 volts continuously. When held at this voltage, the battery will seek its own current level and maintain itself in a fully charged condition.

**Note:** Due to the self-discharge characteristics of this type of battery, it is imperative that they be charged within 6 months of storage, otherwise permanent loss of capacity might occur as a result of sulfation.

**Chargers**

Power-Sonic offers a wide range of chargers suitable for batteries up to 100AH. Please refer to the Charger Selection Guide in our specification sheets for "C-Series Switch Mode Chargers" and "Transformer Type A and F Series". Please contact our Technical department for advice if you have difficulty in locating suitable models.

**Further Information**

Please refer to our website [www.power-sonic.com](http://www.power-sonic.com) for a complete range of useful downloads, such as product catalogs, material safety data sheets (MSDS), ISO certification, etc..

**Contact Information**

Contact Information			www.power-sonic.com
<b>DOMESTIC SALES</b> Tel: +1-619-661-2020 Fax: +1-619-661-3650 national-sales@power-sonic.com	<b>CUSTOMER SERVICE</b> Tel: +1-619-661-2030 Fax: +1-619-661-3648 customer-service@power-sonic.com	<b>TECHNICAL SUPPORT</b> Tel: +1-619-661-2020 Fax: +1-619-661-3648 support@power-sonic.com	<b>INTERNATIONAL SALES</b> Tel: +1-650-364-5001 Fax: +1-650-366-3662 international-sales@power-sonic.com
<b>CORPORATE OFFICE</b> • 7550 Panasonic Way • San Diego, CA 92154 • USA • Tel: +1-619-661-2020 • Fax: +1-619-661-3650			

© 2010, Power-Sonic Corporation. All rights reserved. All trademarks are the property of their respective owners.

0810 1M